

Publications

International Journals/Transactions

1. M. Nakamura, S. R. Munasinghe, S. Goto and N. Kyura, "Enhanced contour control of SCARA robot under torque saturation constraint", *IEEE/ASME Trans. on Mechatronics*, vol. 5, no. 4, pp. 437-440, Dec. 2000.
2. S. R. Munasinghe, M. Nakamura, S. Goto and N. Kyura, "Optimum contouring of industrial robot arms under assigned velocity and torque constraints", *IEEE Tran. on Systems Man and Cybernetics*, vol. 31, no. 5, pp. 159-167, May, 2001.
3. S. R. Munasinghe and M. Nakamura, "Teleoperation of welfare robotic systems by motion planning considering assigned velocity and acceleration limit", *Intl. J. Human-Friendly Welfare Robotic Systems*, vol. 3, no. 2, pp. 23-31, June, 2002.
4. S. R. Munasinghe, M. Nakamura, S. Goto and N. Kyura, "Trajectory planning for industrial robot manipulators considering assigned velocity and allowance under joint acceleration limit", *Intl. J. of Control, Automation, and Systems*, vol. 1, no. 1, pp. 68-75, March, 2003.
5. S. R. Munasinghe, M. Nakamura, S. Goto and N. Kyura, "Pole selection of feed-forward compensators considering bounded control input of industrial mechatronic systems", *IEEE Tran. on Industrial Electronics, Part-A*, (accepted for publication).
6. S. R. Munasinghe and M. Nakamura, "Determination of maximum end-effector

Publications


velocity at trajectory corners in robot manipulator control under joint acceleration constraint”, *IEEE Tran. on Systems Man, and Cybernetics* (in review).

International Conference Proceedings

1. M. Nakamura, S. R. Munasinghe, S. Goto and N. Kyura, “Enhanced contour control of SCARA robot under torque constraint”, in *Proc. IEEE/RSJ Intl. Conf. on Intelligent Robots and Systems*, pp. 1774-1779, Taejon, Korea, Dec 17-21, 1999.
2. S. R. Munasinghe, M. Nakamura, S. Aoki, S. Goto and N. Kyura, “High speed precise control of robot arms with assigned speed under torque constraint by trajectory generation in joint co-ordinates”, in *Proc. IEEE Intl. Conf. on Systems, Man, and Cybernetics*, pp.II-854-857, Tokyo, Japan, Oct. 12-17, 1999.
3. M. Nakamura, S. R. Munasinghe, S. Goto, and N. Kyura, “Feasible method of optimum control of industrial robot arms in operation under speed and torque constraint” in *Proc. 3rd Asian Control Conf.*, pp. 2887-2892, Shanghai, China, July, 2000.
4. S. R. Munasinghe, M. Nakamura, S. Goto, and N. Kyura, “Precise control of industrial robot arms considering trajectory allowance under torque and speed constraint” in *Proc. IEEE Intl. Conf. on Robotics and Automation*, pp. 3949-3954, Seoul, Korea, May 21-26, 2001.
5. S. R. Munasinghe, M. Nakamura, T. Iwanaga, S. Goto, and N. Kyura, “Precise, Jerk-free contouring of industrial robot arms with trajectory allowance under torque and velocity constraints” in *Proc. IEEE Intl. Conf. on Industrial Electronics*, pp. 204-209, Denver. Colorado, USA, Nov. 29-Dec. 2, 2001.
6. S. R. Munasinghe and M. Nakamura, “Determination of maximum tangential velocity at trajectory corners in robot manipulator operation under torque constraint” in *Proc. SICE Annual Conf.*, MA17-2, pp. 1170-1175, Osaka, Japan, Aug. 5-7, 2002.

Publications

Local Conference Proceedings

1. M. Nakamura, S. R. Munasinghe, S. Goto and N. Kyura, "Effective tracking Control of articulated robot manipulators with torque saturation characteristics", *Annul Conf. of Society of Instrumentation and Control Engineers (SICE), kyushu Branch*, pp 137-140, Okinawa, Japan, Dec. 12-13, 1998.
2. S. R. Munasinghe, M. Nakamura, S. Goto and N. Kyura, "Contouring control of industrial robot arms with trajectory allowance under velocity and torque constraints in three dimensional space", *Annul Conf. of Society of Instrumentation and Control Engineers (SICE), kyushu Branch*, pp. 333-336, Miyazaki, Japan, Nov. 27-28, 2000.
3. S. R. Munasinghe, M. Nakamura, S. Goto, and N. Kyura, "Pole selection for modified data method for mechatronic servo systems by considering bounded control input" in *Proc. Annul Conf. of Society of Instrumentation and Control Engineers (SICE), kyushu Branch*, pp. 183-185, Kumamoto, Japan, Dec. 15-16, 2001.  University of Moratuwa, Sri Lanka.
Electronic Theses & Dissertations
www.lib.mrt.ac.lk
4. S. R. Munasinghe, M. Nakamura, S. Goto, and N. Egashira, "Advanced motion planning and supervised control for teleoperated welfare robots" in *Proc. Annul Conf. of Society of Instrumentation and Control Engineers (SICE), kyushu Branch*, pp. 309-312, Oita, Japan, Dec. 7-8, 2002.
5. S. R. Munasinghe, N. Egashira, and M. Nakamura, "Supervisory control of industrial telemanipulators with assigned velocity and working precision bound to joint acceleration constraint" in *Proc. Fuzzy, Artificial Intelligence, Neural Networks and Computational Intelligence Symposium (FAN'02)*, pp. 95-100, Saga, Japan, Nov. 21-22, 2002.

References

- [1] <http://cache.ucr.edu/currie/roboadam.htm>.
- [2] D.E. Whitney, "Resolved motion rate control of manipulators and human prostheses", *IEEE Trans. Man Mach. Syst.*, vol. 10, no. 2, pp. 47-53, Jun., 1969.
- [3] R. Paul, "Manipulator Cartesian path control," *IEEE Trans. Syst., Man, Cyber.*, vol. 9, no. 11, pp. 702-711, Nov., 1979.
- [4] J. Y. S. Luh, M. W. Walker, R. P. C. Paul, "Resolved-acceleration control of mechanical manipulators", *IEEE Trans. Automat. cntlr.*, vol. 25, no. 3, pp. 468-474, Jun., 1980.
- [5] K.S. Fu, R.C. Gonzalez and C.S.G. Lee: *Robotics; control, sensing, vision and intelligence*, Singapore: McGraw-Hill, Inc., 1987, pp. 82-10
- [6] S. Ramos and P. Khosla, "A comparative analysis of the hardware requirements for the Lagrange-Euler and Newton-Euler dynamic formulations", in *Proc. IEEE International Conference on Robotics and Automation*, vol. 1, pp. 291-296, April 1988.
- [7] J. Y. S. Luh, M. W. Walker, R. P. C. Paul, "On-line computational scheme for mechanical manipulators", *IEEE Trans. Syst. Meas. and Cntrl.*, vol. 102, pp. 69-76, Jun., 1980.
- [8] J. J. Zhang, Y. F. Lu, B. Wang, "A non-recursive Newton-Euler formulation for the parallel computation of manipulator inverse dynamics", *IEEE Trans. Syst. Man, Cyber. C*, vol. 28, no. 3, pp. 467-471, Aug., 1998.
- [9] N.A. Aspragathos and J.K. Dimitros, "A comparative study of three methods for robot kinematics," *IEEE Tran. on Syst., Man and Cyber., Part B: Cybernetics*, vol. 28 No. 2, pp 135-145, Apr., 1998.
- [10] A. J. Koivo, T. H. Guo, "Adaptive linear controller for robotic manipulators," *IEEE Tran. on Automat. Cntrl.*, vol. 28 No. 2, pp 162-171, Feb., 1983.
- [11] H.G. Sage, M.F. De Mathelin, and E. Ostertag, "Robust control of robot manipulators: a survey", *Int. Journal of Control*, vol. 72, no. 16, pp. 1498-1522, Nov., 1999.
- [12] S. Goto, M. Nakamura, N. Kyura, "Accurate contour control of mechatronic servo systems using gaussian networks," *IEEE Tran. on Indust. Electron.*, vol. 43, No. 4, pp. 469-476, Aug., 1996.
- [13] G. Feng, "A new stable tracking control scheme for robotic manipulators," *IEEE Tran. on Syst. Man Cyber. B*, vol. 27 No. 3, pp. 510-515, Jun., 1997.
- [14] K. S. Hwang, C. S. Lin, "Smoth trajectory tracking of three-link robot: A self-organizing CMAC approach," *IEEE Tran. on Syst., Man Cyber., B*, vol. 28, No. 5, pp. 680-692, Oct., 1998.

- [15] J. Y. S. Luh, "An anatomy of industrial robots and their controls," *IEEE Trans. on Automat., Cntrl.*, vol. 28, No. 2, pp. 133-153, Feb., 1983.
- [16] F. Caccavale, S. Chiaverini and B. Siciliano, "Second-order kinematic control of robot manipulators with Jacobian damped least-squares inverse: Theory and experiments", *IEEE Trans. Mechatro.*, vol. 2, no. 3, pp. 188-184, Sep., 1984.
- [17] K.G. Shin, and N. D. McKay, "A dynamic programming approach to trajectory planning of robotic manipulators", *IEEE Trans. Automat. Cntr.*, vol. 31, no. 6, pp. 491-511, Jun. 1986.
- [18] M. W. Spong, J. S. Thorp, J. M. Kleinwaks, "The control of robot manipulators with bounded input", *IEEE Trans. Automat. Cntrl.*, vol. 31, no. 6, pp. 483-490, Jun. 1986.
- [19] R.H. Taylor, "Planning and execution of straight line manipulator trajectories", *IBM J. Res. Devel.*, vol. 23, no. 3, pp. 424-436, Jul., 1979.
- [20] J.Y.S. Luh and C. Lin, "Approximate joint trajectories for control of industrial robots along Cartesian paths", *IEEE Trans. Syst., Man, and Cyber.*, vol. 14, no. 3, pp. 444-450, May/June., 1984.
- [21] C. M. M. Karger, A. L. G. Mirena, J. T. S. Lopez, "Hyperbolic trajectories for pick-and-place operations to euclidean obstacles", *IEEE Trans. Robot. Automat.*, vol. 16, no. 3, pp. 294-300, Jun., 2000.
- [22] L. S. Pontryagin, "Optimal regulation process" *American Math Society Translations, Series 2*, vol. 18, pp. 321-339, 1961.
- [23] R. Bellman, *Dynamic Programming*, Prentice University Press, Ch. 3, pp. 81-89, 1957.
- [24] J.Y.S. Luh and C.S. Lin, "Optimum path planning for mechanical manipulators", *ASME Trans. Dyna. Syst., Meas., and Cntr.*, vol. 14, no. 3, pp. 444-451, Jun. 1984.
- [25] C. S. Lin, P. R. Chang, J.Y.S. Luh, "Formulation and optimization of cubic polynomial joint trajectories for industrial robots", *IEEE Trans., Automat., Cntrl.*, vol. 28, no. 12, pp. 1066-1073, Dec. 1983.
- [26] K.G. Shin, and N. D. McKay, "Selection of near-minimum time geometric paths for robotic manipulators", *IEEE Trans. Automat. Cntr.*, vol. 31, no. 6, pp. 501-511, Jun. 1986.
- [27] J. Keifer, A. J. Kahill, M. R. James, "Robust and accurate time-optimal path-tracking control for robot manipulators", *IEEE Trans. Robot., Automat.*, vol. 13, no. 6, pp. 880-890, Dec. 1997.
- [28] R. E. Kalman, "Mathematical description of linear dynamical systems", *SIAM Journal of control*, Ser. A, vol. 1, no. 2, pp. 152-192, 1963.
- [29] R. C. Dorf, R. H. Bishop : *Modern Control Systems*, Prentice-Hall Inc., NJ, 9thEd. , 2001.
- [30] K. Tchon, R. Muszynski, "Singular inverse kinematic problem for robotic manipulators: A normal form approach", *IEEE Trans. Robot., Automat.*, vol. 14, no. 1, pp. 93-103, Feb. 1997.

- [31] W. M. Wonham, A. S. Morse, "Decoupling and pole assignment in linear multivariable systems: A geometric approach", *SIAM Journal of control*, Ser. A, vol. 8, pp. 1-18, 1970.
- [32] M. Nakamura, S. Goto and N. Kyura: *Mechatronic servo system control*, Morikita shuppan, Tokyo: 1998, ch. 1 and 4 (in Japanese).
- [33] J. E. Bobrow, "Optimum Robot Path Planning Using the Minimum-Time Criterion", *IEEE J., Robot., Automat.*, vol. 4, no. 4, pp. 443-450, Aug. 1988.
- [34] M. Nakamura, S. R. Munasinghe, S. Goto and N. Kyura, "Effective Tracking Control of Articulated Robot Manipulators with Torque Saturation Characteristics", *Annul Conf. of Society of Instrumentation and Control Engineers (SICE), kyushu Branch*, pp 137-140, Okinawa, Japan, Dec. 12-13, 1998.
- [35] M. Nakamura, S. R. Munasinghe, S. Goto and N. Kyura, "Enhanced Contour Control of SCARA Robot Under Torque Constraint", in *Proc. IEEE/RSJ Intl. Conf. on Intelligent Robots and Systems*, pp. 1774-1779, Taejon, Korea, Dec 17-21, 1999.
- [36] M. Nakamura, S. R. Munasinghe, S. Goto and N. Kyura, "Enhanced Contour Control of SCARA Robot Under Torque Saturation Constraint", *IEEE/ASME Trans. on Mechatronics*, vol. 5, no. 4, pp. 437-440, Dec. 2000.
- [37] S. R. Munasinghe, M. Nakamura, S. Aoki, S. Goto and N. Kyura, "High Speed Precise Control of Robot Arms with Assigned Speed Under Torque Constraint by Trajectory Generation in Joint Co-ordinates", in *Proc. IEEE Intl. Conf. on Systems, Man, and Cybernetics*, pp. 854-857, Tokyo, Japan, Oct. 12-17, 1999.
- [38] M. Nakamura, S. R. Munasinghe, S. Goto, and N. Kyura, "Feasible method of optimum control of industrial robot arms in operation under speed and torque constraint" in *Proc. 3rd Asian Control Conf.*, pp. 2887-2892, Shanghai, China, July, 2000.
- [39] S. R. Munasinghe, M. Nakamura, S. Goto and N. Kyura, "Optimum contouring of industrial robot arms under assigned velocity and torque constraints", *IEEE Tran. on Systems Man and Cybernetics*, vol. 31, no. 5, pp. 159-167, May, 2001.
- [40] S. R. Munasinghe, M. Nakamura, S. Goto and N. Kyura, "Contouring Control of industrial robot arms with trajectory allowance under velocity and torque constraints in three dimensional space", *Annul Conf. of Society of Instrumentation and Control Engineers (SICE), kyushu Branch*, pp. 333-336, Miyazaki, Japan, Nov. 27-28, 2000.
- [41] S. R. Munasinghe, M. Nakamura, S. Goto, and N. Kyura, "Precise control of industrial robot arms considering trajectory allowance under torque and speed constraint" in *Proc. IEEE Intl. Conf. on Robotics and Automation*, pp. 3949-3954, Seoul, Korea, May 21-26, 2001.
- [42] S. R. Munasinghe, M. Nakamura, T. Iwanaga, S. Goto, and N. Kyura, "Precise, Jerk-free contouring of industrial robot arms with trajectory allowance under torque and velocity constraints" in *Proc. IEEE Intl. Conf. on Industrial Electronics*, pp. 204-209, Denver, Colorado, USA, Nov. 29-Dec. 2, 2001.

- [43] R. C. Paul, "Modeling, trajectory calculation and servoing of a computer controlled arm," *A. I. Memo, 177, Stanford Artificial Intelligence Laboratory, Stanford University*, Sep., 1972.
- [44] S. R. Munasinghe and M. Nakamura, "Determination of maximum tangential velocity at trajectory corners in robot manipulator operation under torque constraint" in *Proc. SICE Annual Conf.*, MA17-2, pp. 1170-1175, Osaka, Japan, Aug. 5-7, 2002.
- [45] S. Goto, M. Nakamura and N. Kyura, "Modified taught data method for industrial mechatronic servo-controller to achieve accurate contour control performance," *IEEE/ASME Int. Conf. on Adv. Intel. Mechatronics (AIM)*, WedIII-1-4, June, 1997.
- [46] S. Kahne, "pole-zero cancellation in SISO linear feedback systems", *IEEE Trans. Edu.*, vol. 33, no. 3, pp. 240-243, Aug., 1990.
- [47] B. C. Kuo: *Automatic Control Systems* 7th ed. Englewood Cliffs, N.J.: Prentice-Hall Inc., 1995.
- [48] K. J. Astrom and B. Wittenmark: *Computer Controlled Systems, Theory and Design*, Englewood Cliffs, N.J.: Prentice-Hall Inc., Information and Systems Science Series, 1984.
- [49] F. L. Lewis: *Applied Optimal Control and Estimation* 1st ed., Prentice-Hall Inc., 1992.
- [50] A. L. Tits and Y. Yang, "Globally convergent algorithm for robust pole assignment by state feedback", *IEEE Trans. Auto. Cntl.*, vol. 41, no. 10, pp. 1432-1452, Oct., 1996.
- [51] L Yuan, L. E. K. Achenie, W. Jiang, "Linear quadratic optimal feedback control for systems with poles in a specified region", *Int. J. Control.*, vol. 64, no. 6, pp. 1151-1164, Aug., 1996.
- [52] R. N. Clarke, "Another reason to eschew pole-zero cancellation," *IEEE Cntl. Syst. Mag.*, pp. 87-88, Apr., 1988.
- [53] H. E. Jenkins, T. R. Kurfess, "Adoptive pole-zero cancellation in grinding force control", *IEEE Tran. on Cntl., Syst., Tech.*, vol. 7, no. 3, pp. 363-370, May, 1999.
- [54] F. Ohkawa, Y. Yonezawa, "A discrete model reference adaptive control system for a plant with input amplitude constraints," *Int. J. Control*, vol. 36, no. 5, pp. 747-753, Nov., 1982.
- [55] A. N. Payne, "Adaptive one-step-ahead control subject to an input-amplitude constraint," *Int. J. Control*, vol. 43, no. 4, pp. 1257-1269, Apr., 1986.
- [56] C. Zhang, R. J. Evans, "Adaptive pole-assignment subject to saturation constraint," *Int. J. Control*, vol. 46, no. 4, pp. 1391-1398, Oct., 1987.
- [57] D. Y. Abramovich, G. F. Franklin, "On the stability of adaptive pole-placement controllers with a saturating actuator," *IEEE Tran. Automat. Contr.*, vol. 35, no. 3, pp. 303-306, Mar., 1990.
- [58] F. Z. Chaoui, F. Giri, L. Dugard, J. M. Dion, M. M'saad, "Adaptive tracking with

- saturating input and controller integral action," *IEEE Tran. Automat. Contr.*, vol. 43, no. 11, pp. 1638-1643, Nov., 1998.
- [59] C. Zhang, "Discrete-time saturation constrained adaptive pole assignment control," *IEEE Tran. Automat. Contr.*, vol. 38, no. 8, pp. 1250-1254, Aug., 1993.
- [60] A. R. Teel, "Semi-global stability of linear null controllable systems with input nonlinearities," *IEEE Tran. Automat. Contr.*, vol. 40, no. 1, pp. 96-100, Jan., 1995.
- [61] Z. Lin, A. Saberi, A. A. Stoorvogel, "Semiglobal stabilization of linear discrete-time systems subject to input saturation via linear feedback - An ARE-based approach," *IEEE Tran. Automat. Contr.*, vol. 41, no. 8, pp. 1203-2107, Aug., 1996.
- [62] D. De. Santis, A. Isidori, "On the output regulation for linear systems in the presence of input saturation," *IEEE Tran. Automat. Contr.*, vol. 46, no. 1, pp. 156-160, Jan., 2001.
- [63] S. R. Munasinghe, M. Nakamura, S. Goto, and N. Kyura, "Pole selection for modified data method for mechatronic servo systems by considering bounded control input" in *Proc. Annul Conf. of Society of Instrumentation and Control Engineers (SICE), kyushu Branch*, pp. 183-185, Kumamoto, Japan, Dec. 15-16, 2001.
- [64] K. Goldberg, *The Robot in the Garden, Telerobotics and Telepistemology in the Age of the Internet*, MIT Press, Cam. Mass., 2000.
- [65] <http://telerobot.mech.uwa.edu.au/ROBOT/anupaper.htm>
- [66] T. B. Sheridan, "Space teleoperation through time delay: Review and prognosis" *IEEE Trans. Rob. and Auto.*, vol. 9, No. 5, pp. 592-606, 1993.
- [67] L. Conwey, R. A. Volz, M. W. Walker, "Teleautonomous systems: Projecting and coordinating intelligent action at a distance", *IEEE Tran. Robot. and Auto.*, vol. 6, No. 2, pp. 146-158, 1993.
- [68] T. B. Sheridan, *Telerobotics, Automation, and Human Supervisory Control*, MIT Press, Cam. Mass., 1992.
- [69] W. R. Stewens: *UNIX Network Programming, Networking APIs: Sockets and XTI*, 2nd Ed. , Upper Saddle River, NJ, Prentice Hall Inc., 1998.
- [70] S. R. Munasinghe, N. Egashira, and M. Nakamura, "Supervisory control of industrial telemanipulators with assigned velocity and working precision bound to joint acceleration constraint" in *Proc. FAN02 Conference*, Saga, Japan, Nov. 21-22, 2002.
- [71] D. H. Stefanov, "Robotic system for home service and health monitoring of elderly people", in *Proc. 1st Intl. Workshop Human-friendly welfare robotic systems*, pp. 28-32, Korea, 2000.
- [72] K. Kawamura, "Intelligent robotic systems in service of the disabled", *IEEE trans. Rehabil. Eng.*, vol. 3, no. 1, pp. 14-21, 1995.
- [73] P. Hoppenot and E. Colle, "Localization and control of a rehabilitation mobile

- robot by close human-machine corporation”, *IEEE Trans. Neural Syst. and Rehabil. Eng.*, vol. 9, no. 2, pp. 181-190, Jun., 2001.
- [74] R. Ramanathan, “Analysis of arm trajectory of everyday tasks for the development of an upper-limb orthosis”, *IEEE Trans. Rehabil. Eng.*, vol. 8, no. 1, pp. 60-70, Mar., 2000.
- [75] P. R. Kennedy, “Direct control of a computer from the human central nervous system”, *IEEE Trans. Rehabil. Engg.*, vol. 8, no. 2, pp. 198-205, Jun., 2000.
- [76] W. S. Kim, B. Hannaford, and A. K. Bejczy, “Force reflection and shared compliant control in operating telemanipulators with time delay”, *IEEE Trans. Rob. and Auto.*, vol. 8, No. 2, pp. 176-185, Apr. 1992.
- [77] T. Itoh, “Human-machine cooperative telemanipulation with motion and force scaling using task-oriented virtual tool dynamics”, *IEEE Trans. Rob. and Auto.*, vol. 16, No. 9, pp. 505-516, Oct. 2000.
- [78] S. R. Munasinghe and M. Nakamura, “Teleoperation of Welfare Robotic Systems by Motion Planning Considering Assigned Velocity and Acceleration Limit”, *Intl. J. Human-Friendly Welfare Robotic Systems*, vol. 3, no. 2, (in press).
- [79] S. R. Munasinghe, M. Nakamura, S. Goto, and N. Egashira, “Advanced motion planning and supervised control for teleoperated welfare robots” in *Proc. Annual Conf. of Society of Instrumentation and Control Engineers (SICE), kyushu Branch, Oita, Japan, Dec. 7-8, 2002.*
- [80] A. Howard and H. Seraji, “An intelligent terrain-based navigation system for planetary rovers”, *IEEE Robot. Automat. Mag.*, pp. 9-17, Dec. 2001.
- [81] S. Farritor and S. Dubowsky, “A self-planning methodology for planetary robotic explorers”, in *Proc. Intl., Conf., Robot., Automat.*, pp. 499-504, Jul. 1997.
- [82] G. Hirzinger, B. Brunner, J. Dietrich, and J. Heindl, “Sensor-based space robotics-ROTEX and its telerobotic features”, *IEEE Trans. Robot. and Automat.*, vol. 9, no. 5, pp. 649-663, Oct. 1993.
- [83] J. F. Andary, and P. D. Spidaliere, “The development test flight of the flight telerobotic servicer: Design description and lessons learned”, *IEEE Trans. Robot. and Automat.*, vol. 9, no. 5, pp. 664-674, Oct. 1993.
- [84] B. Widrow, “30 years of adaptive neural networks: Perception, madelline, and backpropagation”, *Proc. IEEE*, vol. 78, no. 9, pp. 1415-1442, Sept., 1990.
- [85] K. S. Narendra and K. Parthasarathy, “Identification and control of dynamical systems using neural networks”, *IEEE Trans. Neural Networks*, vol. 1, no. 1, pp. 4-27, Mar., 1990.
- [86] D. H. Nguyen and B. Widrow, “Neural networks for self-learning control systems”, *IEEE Contr. Syst. Mag.*, pp. 18-23, Apr., 1990.
- [87] E. W. Saad, D. E. Prokhorov, and D. C. Wunsch, “Comparative study of stock trend prediction using time delay, recurrent and probabilistic neural networks”, *IEEE trans. Neural Networks*, vol. 9, no. 6, pp. 1456-1470, Nov. 1998.
- [88] Z. Zeng, R. M. Goodman, and P. Smyth, “Discrete recurrent neural networks for

- grammatical inference", *IEEE trans. Neural Networks*, vol. 5, no. 2, pp. 320-330, Mar. 1994.
- [89] G. N. Reeke, Jr., O. Sporns, and G. M. Edelman, "Synthetic neural modelling: The "Darwin" series of recognition automata", *Proc. IEEE* vol. 78, no. 9, pp. 1498-1530, Sept., 1990.
- [90] C. L. Giles, D. Chen, C. B. Miller, H. H. Chen, G. Z. Sun, and Y. C. Lee, "Second-order recurrent neural networks for grammatical inferences", *Proc. Intl. Joint Conf. Neural Networks*, vol II, pp. 273-281, Jan. 2002.
- [91] S. Mitra, Y. Hayashi, "Neuro-fuzzy rule generation: survey in soft computing framework", *IEEE trans. Neural Networks*, vol. 11, no. 3, pp. 748-768, May 2000.
- [92] J. L. Castro, C. J. Mantas, and J. M. Benitez, "Interpretation of artificial neural networks by means of fuzzy rules", *IEEE trans. Neural Networks*, vol. 13, no. 1, pp. 101-116, Jan. 1998.
- [93] T. Kohonen, "Self-organizing maps", *Proc. IEEE*, vol 78, no. 9, pp. 1464-1480, Sept., 1992.
- [94] B. Nichols, D. Buttlar, J. P. Farrell: *Pthreads programming*, 1st Ed. , Sebastopol, CA 95472, O'REILLY & Associates, Inc., 1996.
- [95] W. W. Gay: *Linux Socket Programming by example*, Indianapolis , IN 46290, QUE Inc., 2000.
- [96] A. Weibel, T. Hanasawa, G. Hinton, K. Shikano, and K. J. Lang, "Phoneme recognition using time-delay neural networks", *IEEE trans. Acoust., Speech Signal Processing*, vol. 37, pp. 328-339, Mar. 1989.
- [97] Z. Kuang and A. Kuh, "A combined self-organizing feature map and multilayer perceptron for isolated word recognitions", *IEEE trans. Signal Processing*, vol. 40, No. 11, pp. 2651-2657, Nov. 1992.
- [98] B. Sirinivas, "Almost parsing; technique for language modeling", in *Proc. Intl. Conf. Spoken Language, ICSL96*, vol. 2, pp. 1173-1176, PA, USA, Oct. 1996.
- [99] H. Murviet, M. Weintraub, "1000 word speaker independent continuous speech recognition using hidden Markov models", in *Proc. Intl. Conf. Acous. Speech, Signal Processing*, vol. 1, pp. 1115-1118, NY, USA, Apr. 1988.
- [100] L. A. Zadeh, "Fuzzy logic", *IEEE Computer Mag.*, pp. 83-93, Apr. 1988.
- [101] B. Kosko *Neural Networks and fuzzy systems*, Englewood Cliffs, N. J.: Prentice Hall Inc., 1992.
- [102] P.J. Werbos, "Backpropagation through time delay: what it does and how to do it", *Proc. IEEE*, vol 78, no. 10, pp. 1550-1560, Oct., 1990.
- [103] S. P. Day and M. R. Devenport, "Continuous-time temporal back-propagation with adaptable time delays", *IEEE trans, Neural networks*, vol. 4, no. 2, pp. 348-354, Mar. 1993.
- [104] W. T. Miller, F. H. Glanz, and L. G. Kraft "CMAC: An associative neural network alternative to backpropagation", *Proc. IEEE*, vol 78, no. 9, pp. 1464-1480, Sept., 1992.

- [105] L. G. Kraft, D. P. Campagna "A comparison between CMAC neural network control and two traditional adaptive control systems", *IEEE Contr. Syst. Mag.*, pp. 36-43, Apr., 1990.



University of Moratuwa, Sri Lanka.
Electronic Theses & Dissertations
www.lib.mrt.ac.lk

Appendix A

Actuator Saturation in Servo Control

Industrial robotics is mostly based on servo dynamics with kinematic control [16]. Awareness of the actuator saturation characteristics is essential in order to set the torque/acceleration saturation constraint of these control models. It is therefore necessary to be considered in trajectory planning as well. All practical trajectory planners should have this limit and it is a must-have constraint. A simple test to experimentally determine this limit has been developed for Performer MK3s manipulator. The method can be customized to other manipulators also. It determines the actual acceleration limit of a single servo joint. The test set-up is illustrated in Fig. A.1 Performer MK3s manipulator has a built-in torque monitor that monitors

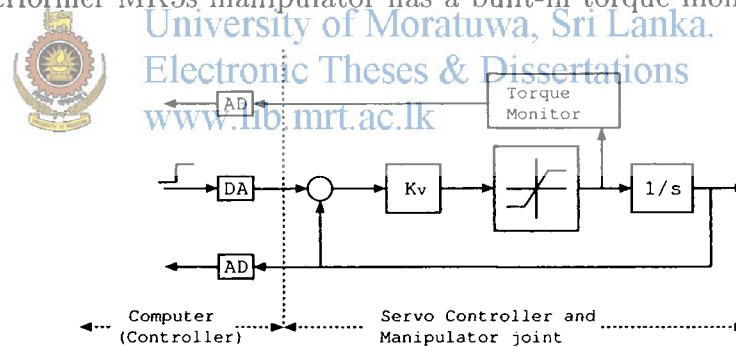


Figure A.1: Test set-up to determine joint acceleration limit

motor torque. This signal can be used to observe torque saturation characteristics. Pulse counter output reads the joint velocity which can be differentiated to observe joint acceleration saturation. In a test, the three joints of the Performer MK3s manipulator were individually excited with step inputs $VOLT_{in} = 0.4[\text{Volt}]$ to $2.6[\text{Volt}]$ in $0.2[\text{Volt}]$ steps. The torque monitor signals for these inputs are recorded as illustrated in Fig. A.2. Actuator saturation phenomena can be clearly observed from the above results. Corresponding joint velocity signals were obtained as shown in Fig. A.3. Differentiation of joint velocity results reveal joint acceleration information and they can be plotted with torque monitor results as shown in Fig. A.4 Torque monitor signal shows saturation limit approximately equal to $1.6[\text{V/s}]$, The unit is $[\text{V/s}]$ as it was differentiated from joint velocity signal. And, joint accelerations show corresponding saturation limits approximately equal to $90[\text{V}]$. These limits are common to all three joints. Joint acceleration limit can be used to represent joint torque saturation so that

enough accuracy can be obtained with the servo controller as shown in Fig. 2.2. The physical quantities of these voltage limits can be determined using servo parameters given in Fig. 2.3.



University of Moratuwa, Sri Lanka.
Electronic Theses & Dissertations
www.lib.mrt.ac.lk

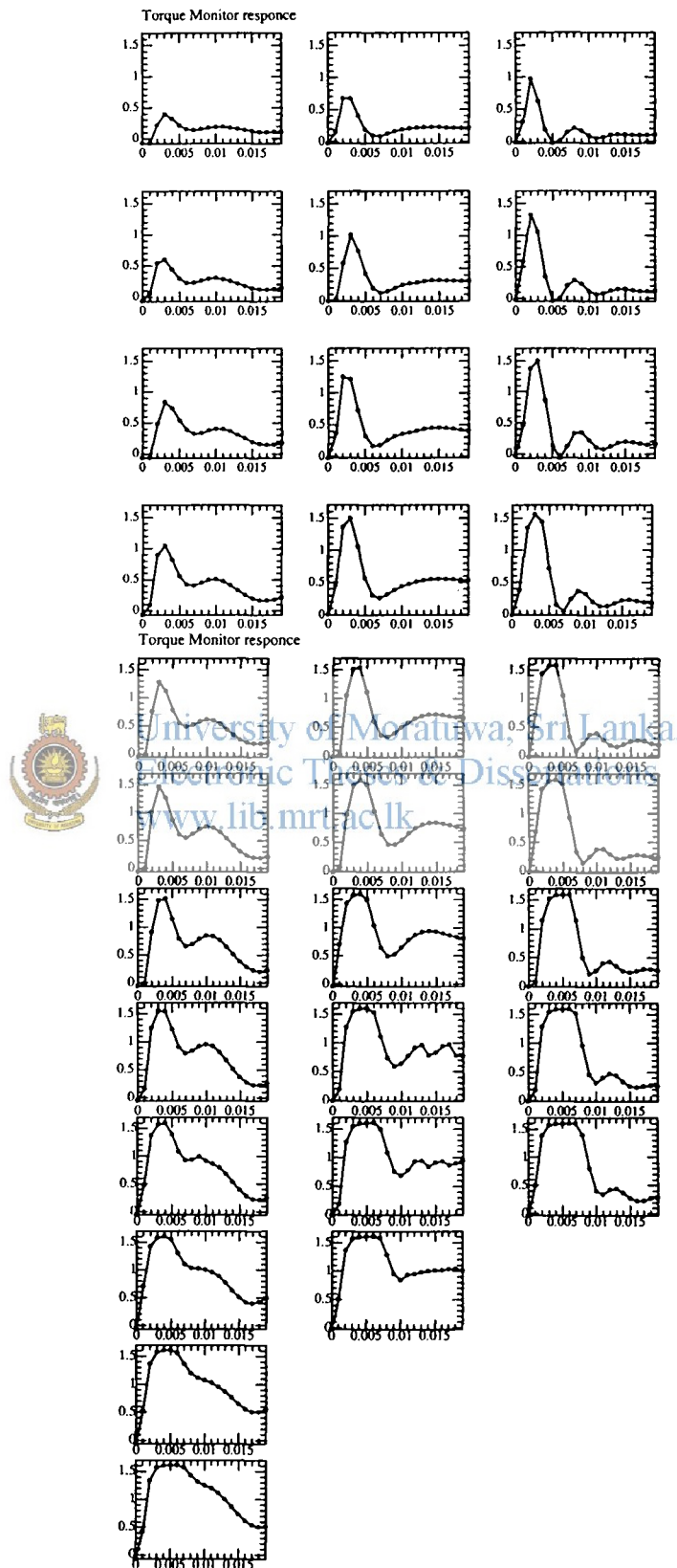


Figure A.2: Torque monitor signal for step voltage inputs 0.2[V] to 2.6[V] in 0.2[V] steps.

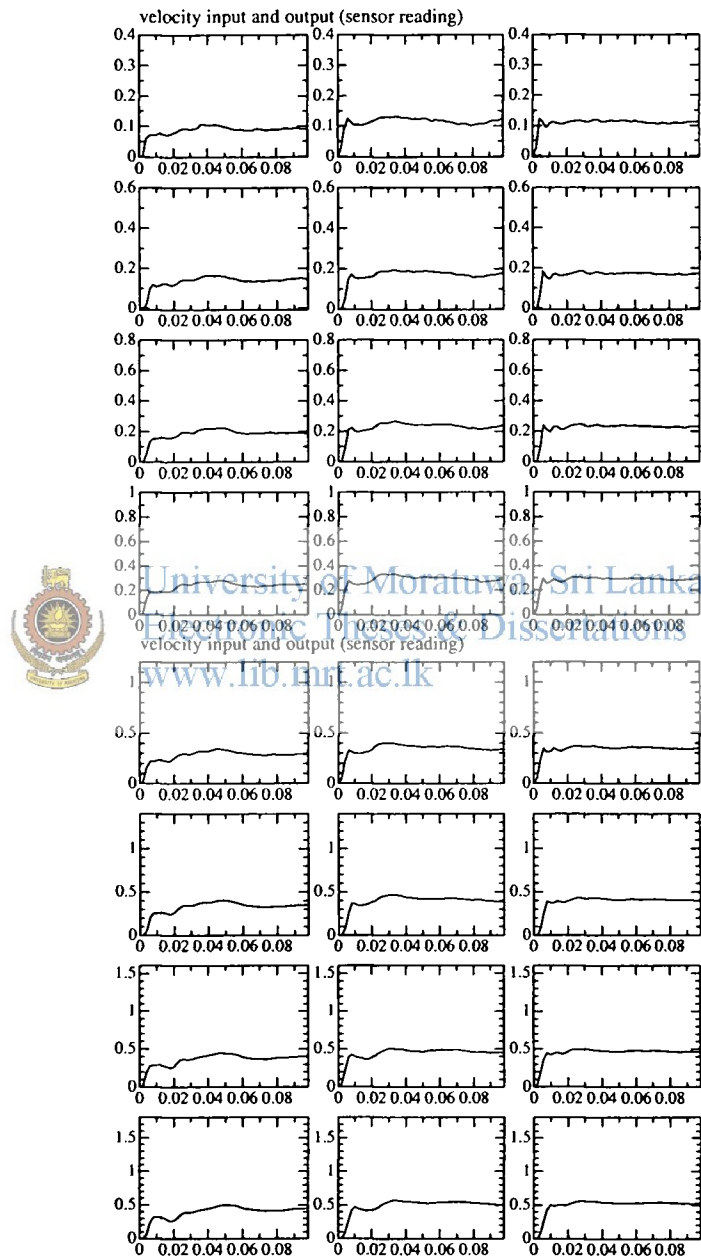


Figure A.3: Joint velocity signals for step voltage inputs.

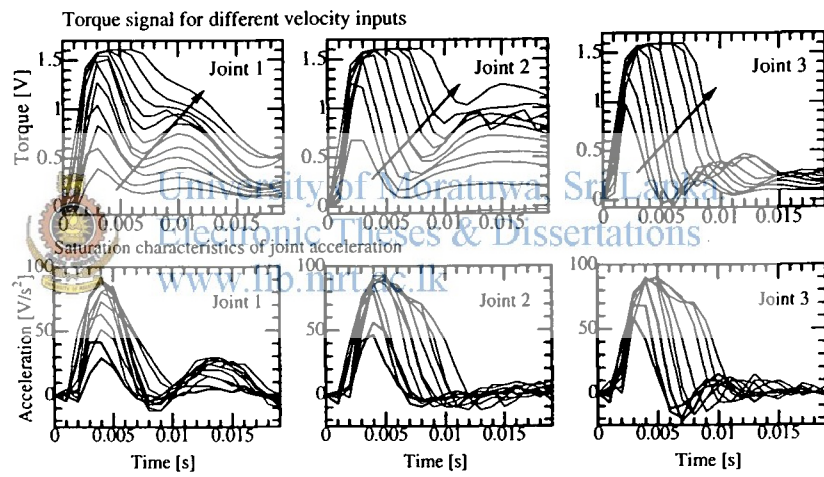


Figure A.4: Saturation characteristics of torque and joint acceleration.

Appendix C

Manipulator Kinematics

C.1 Position

Position kinematics relates end-effector position (in Cartesian co-ordinates) to arm configuration (in joint co-ordinates). Referring to Fig. 4.3(a), which illustrates manipulator arm configuration with respect to a specified Cartesian co-ordinate system, let's define the end-effector position tensor in Cartesian co-ordinates as $\mathbf{x} = [x^1 \ x^2 \ x^3]^T$, and the tensor for arm configuration as $\boldsymbol{\theta} = [\theta^1 \ \theta^2 \ \theta^3]^T$, $i = 1, 2, 3$. Trigonometrically, the relationship between \mathbf{x} and $\boldsymbol{\theta}$ can be written as

$$\mathbf{x} = \mathbf{f}(\boldsymbol{\theta}), \quad \text{University of Moratuwa, Sri Lanka.} \quad (\text{B.1})$$

Electronic Theses & Dissertations
www.lib.mru.ac.lk

in that the vector $\mathbf{f}(\boldsymbol{\theta}) = [f^1(\boldsymbol{\theta}) \ f^2(\boldsymbol{\theta}) \ f^3(\boldsymbol{\theta})]^T$, $i = 1, 2, 3$ can be written as

$$\mathbf{f}(\boldsymbol{\theta}) = \begin{bmatrix} (L^1 + L^2 S^1 + L^3 S^{23}) C^1 \\ (L^1 + L^2 S^1 + L^3 S^{23}) S^1 \\ L^2 C^2 + L^3 C^{23} \end{bmatrix}$$

in that $C^i = \cos(\theta^i)$, $S^i = \sin(\theta^i)$, $C^{ij} = \cos(\theta^i + \theta^j)$, and $S^{ij} = \sin(\theta^i + \theta^j)$. Symbol L^i stands for the length of i th link.

C.2 Velocity

Velocity kinematics relates end-effector velocity $\dot{\mathbf{x}} = [\dot{x}^1 \ \dot{x}^2 \ \dot{x}^3]^T$ to joint velocities $\dot{\boldsymbol{\theta}} = [\dot{\theta}^1 \ \dot{\theta}^2 \ \dot{\theta}^3]^T$ and arm configuration $\boldsymbol{\theta}$. To find out velocity kinematics, we differentiate (B.1) that results

$$\dot{\mathbf{x}} = \mathbf{f}_o(\boldsymbol{\theta}) \dot{\boldsymbol{\theta}}, \quad (\text{B.2})$$

where the matrix $\mathbf{f}_o(\boldsymbol{\theta}) \triangleq \{\partial f^i(\boldsymbol{\theta}) / \partial \theta^j\}$, $i, j = 1, 2, 3$. Matrix $\mathbf{f}_o(\boldsymbol{\theta})$ is also called the Jacobian \mathbf{J} , which can be written as

$$\mathbf{J} = \begin{bmatrix} -S^1(L^1 + L^2 S^2 + L^3 S^{23}) & C^1(L^2 C^2 + L^3 C^{23}) & L^3 C^1 C^{23} \\ -C^1(L^1 + L^2 S^2 + L^3 S^{23}) & S^1(L^2 C^2 + L^3 C^{23}) & L^3 S^1 C^{23} \\ 0 & -L^2 S^2 - L^3 S^{23} & -L^3 S^{23} \end{bmatrix}$$

C.3 Acceleration

Acceleration kinematics relates end-effector acceleration $\ddot{\mathbf{x}} = [\ddot{x}^1 \ \ddot{x}^2 \ \ddot{x}^3]^T$ to joint accelerations $\ddot{\boldsymbol{\theta}} = [\ddot{\theta}^1 \ \ddot{\theta}^2 \ \ddot{\theta}^3]^T$, joint velocities $\dot{\boldsymbol{\theta}}$ and arm configuration $\boldsymbol{\theta}$. To get acceleration kinematics, we differentiate (B.2) that results

$$\ddot{\mathbf{x}} = \mathbf{f}_{\boldsymbol{\theta}}(\boldsymbol{\theta})\ddot{\boldsymbol{\theta}} + \sum_{i=1}^3 \boldsymbol{\psi}^i \dot{\boldsymbol{\theta}}^T \mathbf{f}_{\boldsymbol{\theta}\boldsymbol{\theta}}^i(\boldsymbol{\theta})\dot{\boldsymbol{\theta}}, \quad (\text{B.3})$$

where the matrix $\mathbf{f}_{\boldsymbol{\theta}\boldsymbol{\theta}}^i(\boldsymbol{\theta}) = \{\partial^2 f^i / \partial \theta^j \partial \theta^k\}$, $i, j, k = 1, 2, 3$. Matrix $\mathbf{f}_{\boldsymbol{\theta}\boldsymbol{\theta}}^i(\boldsymbol{\theta})$ is also called Hessian $H^i(\boldsymbol{\theta})$, $i = 1, 2, 3$, which can be derived as follows:

$$\mathbf{H}^1(\boldsymbol{\theta}) = \begin{bmatrix} -C^1(L^1 + L^2 S^2 + L^3 S^{23}) & -L^2 C^2 S^1 + L^3 S^1 C^{23} & -L^3 S^1 C^{23} \\ -S^1(L^2 C^2 + L^3 C^{23}) & -L^2 C^1 S^2 - L^3 C^1 S^{23} & -L^3 C^1 S^{23} \\ L^3 C^{23} S^1 & -L^3 C^1 S^{23} & -L^3 C^1 S^{23} \end{bmatrix}$$

$$\mathbf{H}^2(\boldsymbol{\theta}) = \begin{bmatrix} -S^1(L^1 + L^2 S^2 + L^3 S^{23}) & -L^2 C^1 C^2 + L^3 C^1 C^{23} & L^3 C^1 C^{23} \\ C^1(L^2 C^2 + L^3 C^{23}) & -L^2 S^1 S^2 - L^3 S^1 S^{23} & -L^3 S^1 S^{23} \\ L^3 C^1 C^{23} & -L^3 S^1 S^{23} & -L^3 S^1 S^{23} \end{bmatrix}$$

$$\mathbf{H}^3(\boldsymbol{\theta}) = \begin{bmatrix} 0 & 0 & 0 \\ 0 & -L^2 C^2 - L^3 C^{23} & -L^3 C^{23} \\ 0 & -L^2 C^{23} & -L^3 C^{23} \end{bmatrix}$$

The symbol $\boldsymbol{\psi}^i$ represents joint selection column vector where $\boldsymbol{\psi}^1 = [1 \ 0 \ 0]^T$, $\boldsymbol{\psi}^2 = [0 \ 1 \ 0]^T$, and $\boldsymbol{\psi}^3 = [0 \ 0 \ 1]^T$.

